

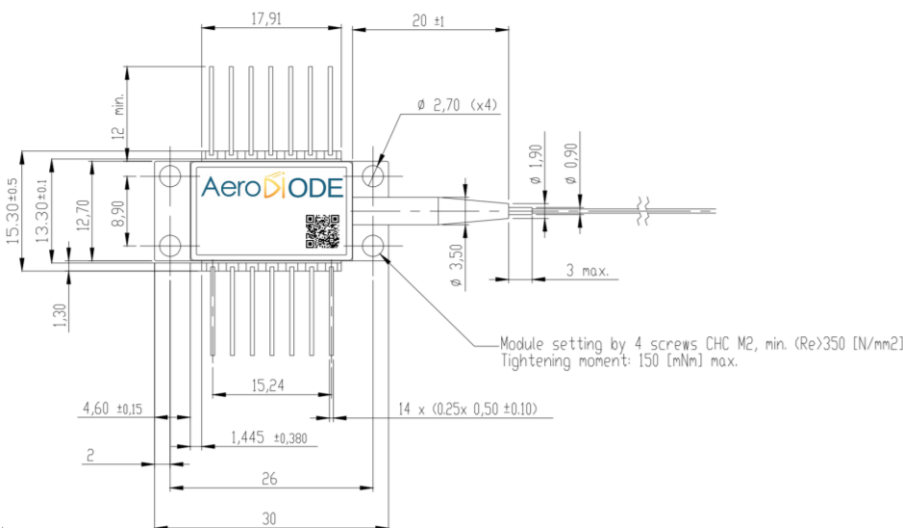
915 nm laser diode

300 mW / singlemode fiber / Butterfly package

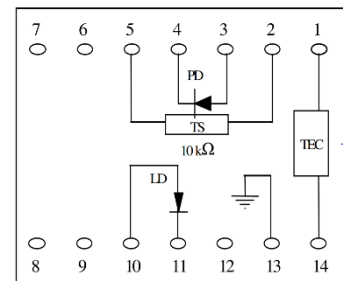
Reference: 915LD-1-0-0

SPECIFICATIONS	Unit	Min	Typ	Maximum
Optical parameters				
Output Power	mW		300	
Center Wavelength (optional "FBG" version)	nm	905 (914)	910 (915)	915 (916)
Spectral Width (FWHM) / (optional "FBG" version)	Nm		2 (0.1)	
Threshold Current	mA		75	120
Operating Current	mA		650	700
Operating Voltage	V		1.7	1.8
Wavelength shift w Temperature (Optional "FBG" version)	nm/°C		0.3 (5 10 ⁻³)	
Wavelength shift w Current (Optional "FBG" version)	nm/A		5 (~0)	
Side mode suppression ratio (Optional FBG version)	dB		(20)	
Internal photodiode responsivity	mA/W	0.04	3	10
Internal photodiode dark current	nA		5	40
TEC current (25°/case@70°)	A		1.1	
TEC voltage (25°/case@70°)	V		1.9	
Internal thermistor (25°)	kOhm	9.5	10	10.5
Fiber type	Hi780			
Fiber bend radius	mm	25		
Fiber connector	Yes (FC/APC)			
Storage temperature	°C	-40		85
Operating case temperature	°C	-20		70
Operating chip temperature	°C	20		40
Laser diode reverse voltage	V			2

Form factor:



Laser diode pinning:



Totally floating pin-out

915 nm laser diode 10 W / 105 μm fiber

Reference: 915LD-2-0-0

SPECIFICATIONS	Unit	Min	Typ	Maximum
Optical parameters				
Output Power	W	10		
Center Wavelength	nm	905	915	925
Spectral Width (FWHM)	nm		3	
Threshold Current	A		0.7	1.0
Operating Current	A		11.0	13.0
Operation Voltage	V		1.6	1.8
Conversion Efficiency	%		55	
Spot ratio (0.15/0.22)	%		92	
Wavelength shift w Temperature	nm/°C		0.3	
Wavelength shift w Current	nm/A		1	
Slope Efficiency	W/A		0.9	
Back reflection isolation stage	nm	1020		1200
Back reflection isolation	dB		30	
Storage Temperature	°C	-30		70
Case Operating Temperature	°C	15	25	55
Minimum Fiber Bend Radius	mm		37.5	
Fiber Buffer/tube Diameter	μm		900	
Fiber Clad Diameter	μm		125	
Fiber Core Diameter	μm		105	
Fiber Numerical Aperture	NA		0.22	
Soldering Temperature	°C			260
Soldering time	s			10
Dimensions	31*17*6.1 or 25*34*10 **			
Mounting holes diameter/distances	7.5 / 13 or 17 / 27.5 **			
Fiber connector	Yes (SMA 905)			
ROHS Compliant	Yes			

Please solder the pins when the level of current is over 6A

** two potential packages form factors – contact us if you have questions



915 nm laser diode

30 W / 105 μm fiber

Reference: 915LD-3-0-0

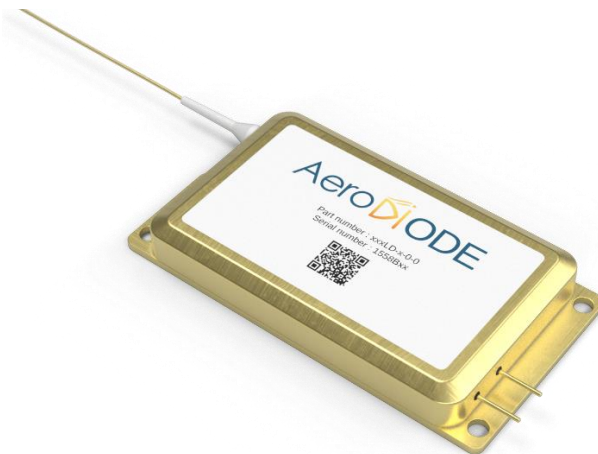
SPECIFICATIONS	Unit	Min	Typ	Maximum
Optical parameters				
Output Power	W	30		
Center Wavelength	nm	905	915	925
Spectral Width (FWHM)	nm		6.0	
Threshold Current	A		0.9	1.0
Operating Current	A		12	13.0
Operation Voltage	V		4.8	6
Conversion Efficiency	%		48	
Wavelength shift w Temperature	nm/°C		0.3	
Wavelength shift with current	nm/A		1	
Slope Efficiency	W/A		2.7	
Back reflection isolation stage	nm	1020		1200
Back reflection isolation	dB		30	
Storage Temperature	°C	-30		70
Case Operating Temperature	°C	15	25	45
Minimum Fiber Bend Radius	mm	30		
Fiber Buffer/tube Diameter	μm		900	
Fiber Clad Diameter	μm		125	
Fiber Core Diameter	μm		105	
Numerical Aperture	NA		0.22	
Soldering Temperature	°C			260
Soldering time	s			10
Dimensions	mm	25*43*11		
Mounting holes diameter/distance	mm	Ø3.2 / 20 ; 43		
Fiber connector	Yes (SMA905)			
ROHS Compliant	Yes			
Please solder the pins when the level of current is over 6A				



915 nm laser diode 70 W / 105 μm fiber

Reference: 915LD-4-0-0

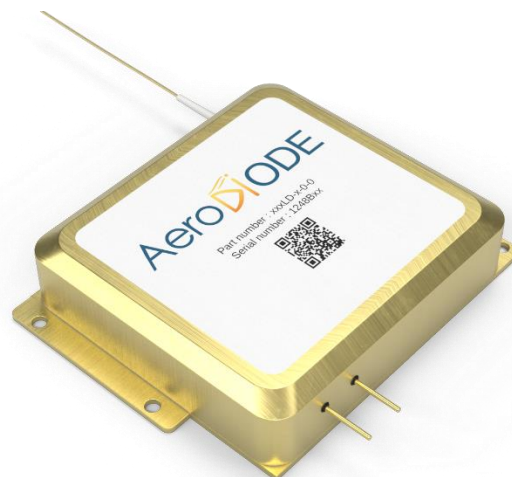
SPECIFICATIONS	Unit	Min	Typ	Maximum
Optical parameters				
Output Power	W	70		
Center Wavelength	nm	905	915	925
Spectral Width (FWHM)	nm		6	
Threshold Current	A		0.9	
Operating Current	A		12	13.0
Operation Voltage	V		11.0	
Conversion Efficiency	%		48	
Wavelength shift w Temperature	nm/°C		0.3	
Wavelength shift w Current	nm/A		1	
Back reflection isolation stage	nm	1020		1200
Back reflection isolation (optional)	dB		30	
Storage Temperature	°C	-30		70
Case Operating Temperature	°C	15	25	55
Minimum Fiber Bend Radius	mm	37.5		
Fiber Buffer/tube Diameter	μm		900	
Fiber Clad Diameter	μm		125	
Fiber Core Diameter	μm		105	
Numerical Aperture	NA		0.22	
Soldering Temperature	°C			260
Soldering time	s			10
Dimensions	mm	48*80*16		
Mounting holes (diameter/distance)	mm	Ø3.4 / 75;40		
Fiber connector	Yes (SMA905)			
ROHS Compliant	Yes			
Please solder the pins when the level of current is over 6A				



915 nm laser diode 160 W / 105 μm fiber

Reference: 915LD-5-0-0

SPECIFICATIONS	Unit	Min	Typ	Maximum
Optical parameters				
Output Power	W	160		
Center Wavelength	nm	905	915	925
Spectral Width (FWHM)	nm		6.0	
Threshold Current	A		0.6	
Operating Current	A			15
Operation Voltage	V			29
Conversion Efficiency	%		44	
Wavelength shift w Temperature	nm/°C		0.35	
Wavelength shift w Current	nm/A		1	
Slope Efficiency	W/A		12	
Back reflection isolation stage	nm	1020		1200
Back reflection isolation (optional)	dB		30	
Storage Temperature	°C	-30		70
Case Operating Temperature	°C	15	25	45
Minimum Fiber Bend Radius	mm	30		
Fiber Buffer/tube Diameter	μm		900	
Fiber Clad Diameter	μm		125	
Fiber Core Diameter	μm		105	
Numerical Aperture	NA		0.22	
Soldering Temperature	°C			260
Soldering time	s			10
Dimensions	mm	80*80*24.8		
Mounting holes (Diameter/distance)	mm	Ø3.3 / 74.4 ; 38		
Fiber connector		Yes (SMA905)		
ROHS Compliant		Yes		
Please solder the pins when the level of current is over 6A				

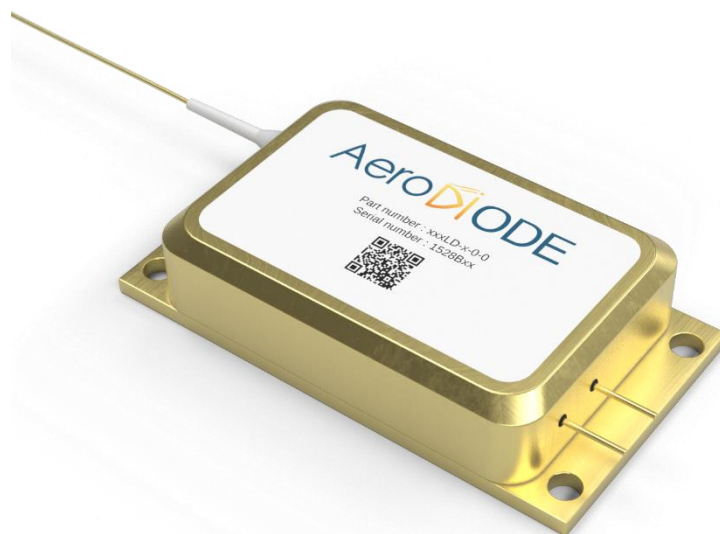


915 nm laser diode 250 W / 135 μm fiber

Reference: 915LD-6-0-0

SPECIFICATIONS	Unit	Min	Typ	Maximum
Optical parameters				
Output Power	W	250		
Center Wavelength	nm	905	915	925
Spectral Width (FWHM)	nm		5.0	
Threshold Current	A		0.8	
Operating Current	A		18.5	20
Operation Voltage	V		27.0	30
Conversion Efficiency	%		50	
Wavelength shift w Temperature	nm/°C		0.35	
Back reflection isolation stage	nm	1020		1200
Back reflection isolation (optional)	dB		30	
Storage Temperature	°C	-30		70
Case Operating Temperature	°C	15	25	45
Minimum Fiber Bend Radius	mm	35		
Fiber Buffer/tube Diameter	μm		900	
Fiber Clad Diameter	μm		155	
Fiber Core Diameter	μm		135	
Numerical Aperture	NA		0.22	
Soldering Temperature	°C			260
Soldering time	s			10
Dimensions	mm	141*55*18		
Mounting holes	mm	4*Ø3.4		
Fiber connector		Yes (HP-SMA905)		
ROHS Compliant		Yes		

Please solder the pins when the level of current is over 6A



915 nm laser diode 250 W / 135 μm fiber

Reference: 915LD-6-0-0

SPECIFICATIONS	Unit	Min	Typ	Maximum
Optical parameters				
Output Power	W	300		
Center Wavelength	nm	905	915	925
Spectral Width (FWHM)	nm		5	
Threshold Current	A		0.8	
Operating Current	A		19.0	20
Operation Voltage	V		32.0	34
Conversion Efficiency	%		50	
Wavelength shift w Temperature	nm/°C		0.35	
Back reflection isolation stage	nm	1020		1200
Back reflection isolation (optional)	dB		30	
Storage Temperature	°C	-30		70
Case Operating Temperature	°C	15	25	45
Minimum Fiber Bend Radius	mm	35		
Fiber Buffer/tube Diameter	μm		900	
Fiber Clad Diameter	μm		220	
Fiber Core Diameter	μm		200	
Numerical Aperture	NA		0.22	
Soldering Temperature	°C			260
Soldering time	s			10
Dimensions	mm	141*55*18		
Mounting holes	mm	4*Ø3.4		
Fiber connector		Yes (HP-SMA905)		
ROHS Compliant		Yes		

Please solder the pins when the level of current is over 6A

